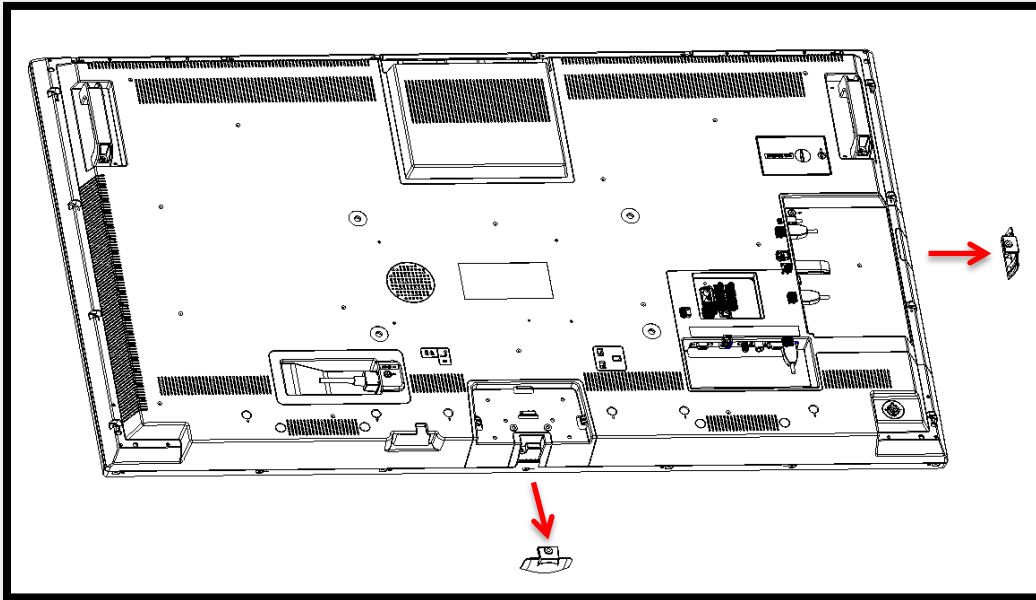
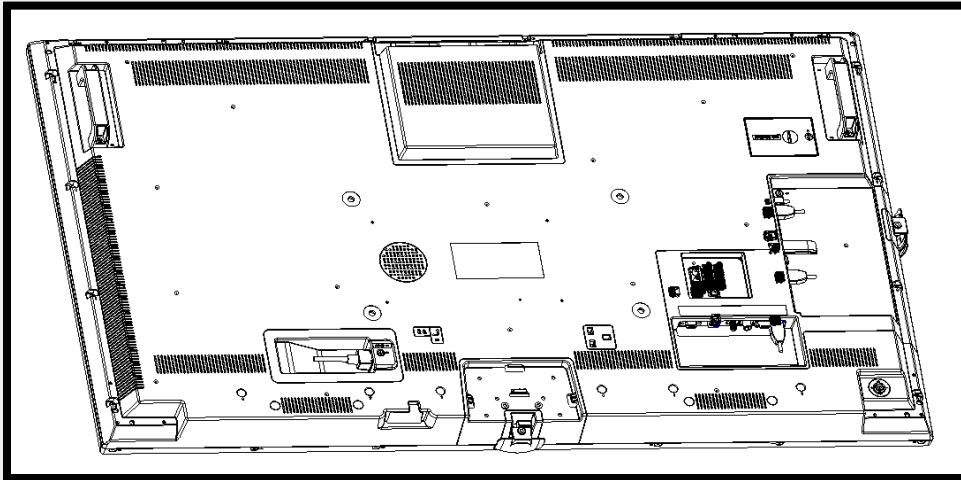
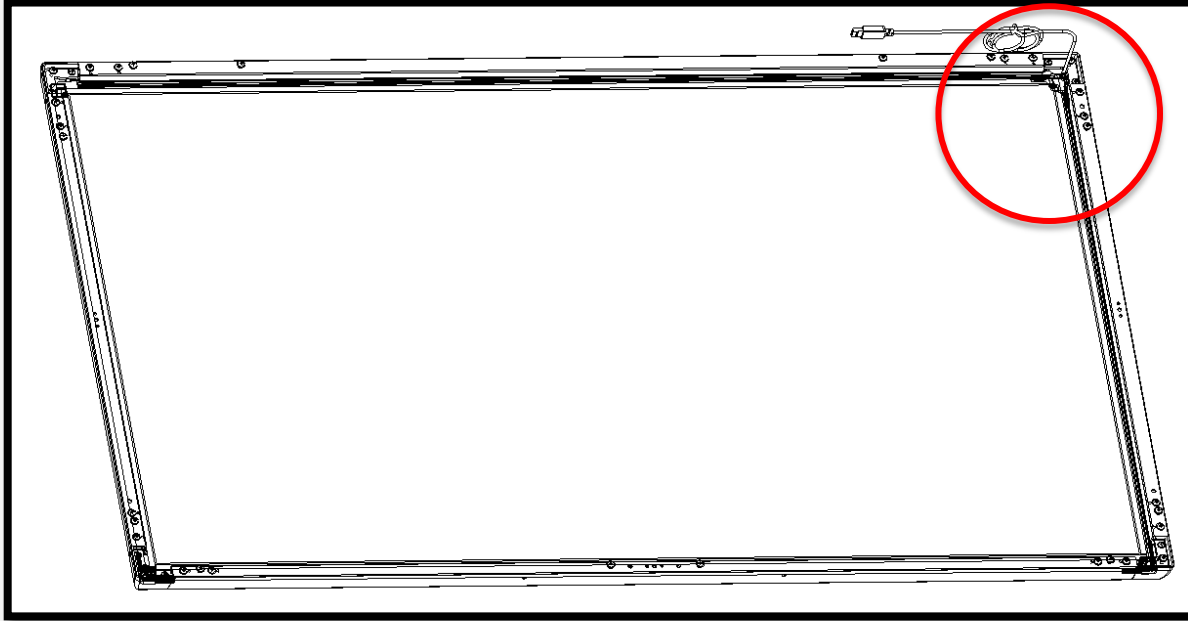


# xx495 OVERLAY TOUCH KIT ASSEMBLY



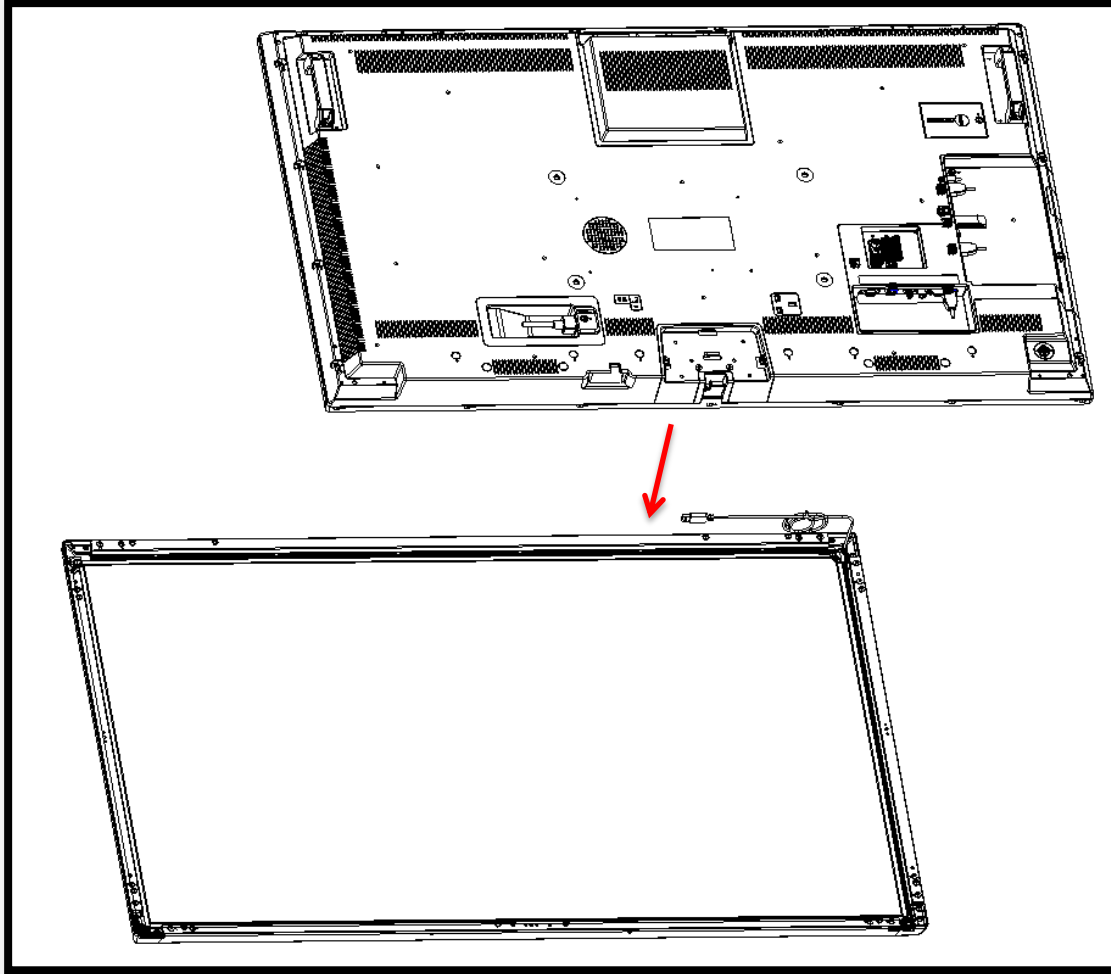
**SHOWN LOGO PLATE (BOTTOM / RIGHT POSITION) SHOULD BE DISASSEMBLED. PLEASE KEEP SCREWS FOR FURTHER USE.**

# xx495 OVERLAY TOUCH KIT ASSEMBLY



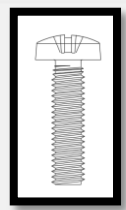
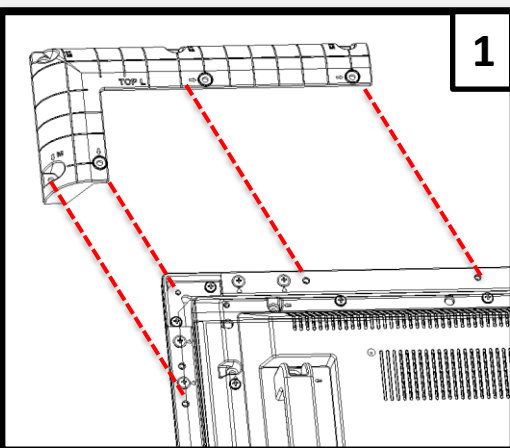
**OVERLAY TOUCH KIT  
SHOULD BE PUT ON  
SMOOTH SURFACE (ETC.  
CUSHION). CABLE  
DIRECTION SHOULD BE  
ON BACK.**

# xx495 OVERLAY TOUCH KIT ASSEMBLY

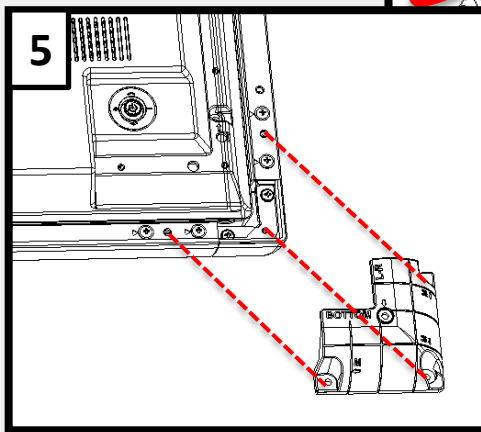
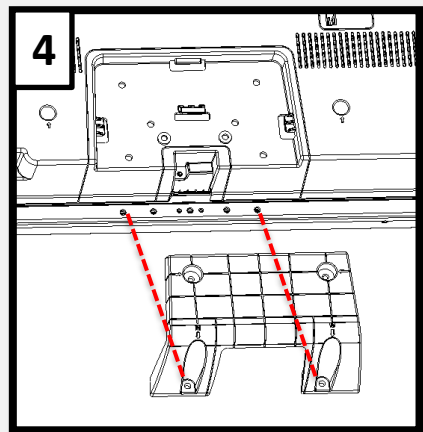
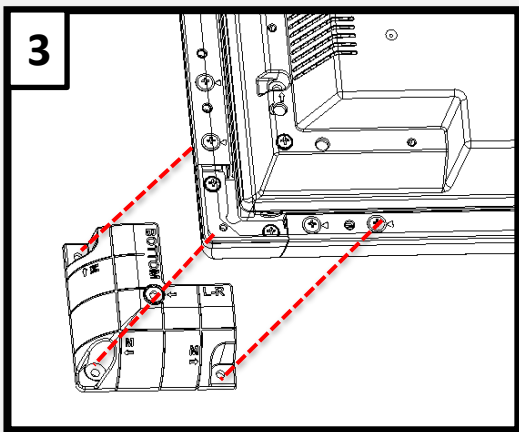
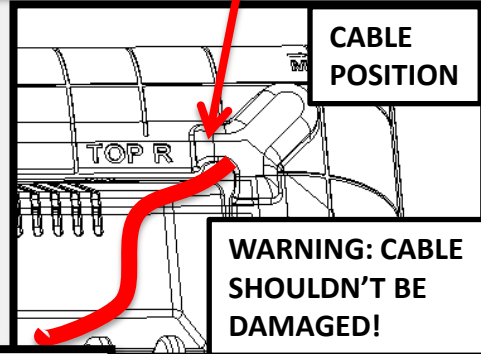
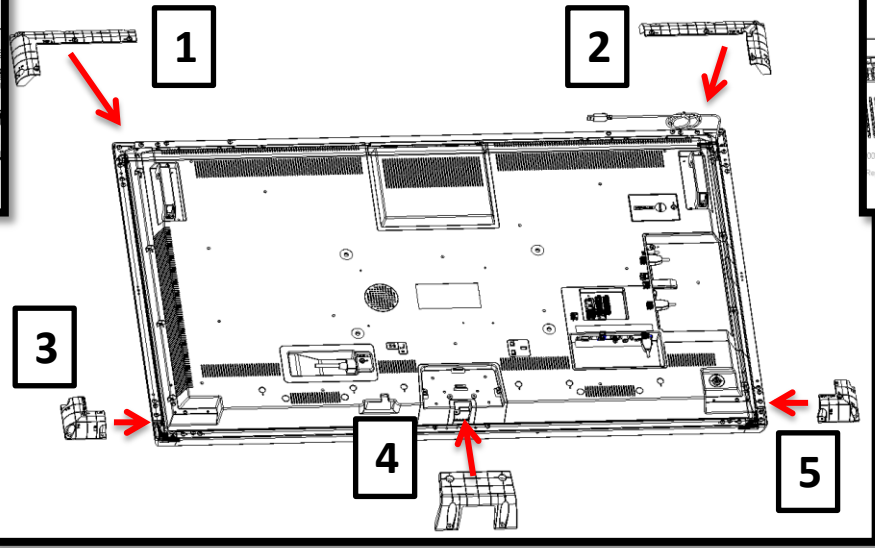
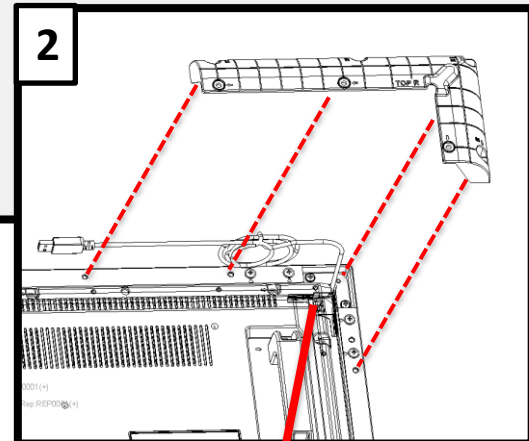


TV PRODUCT SHOULD BE  
PUT ON OVERLAY TOUCH KIT  
CAREFULLY.

# xx495 OVERLAY TOUCH KIT ASSEMBLY

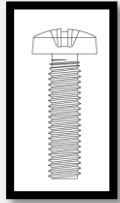


**SCREW M4X16**  
**TOTAL SCREW: 16 PCS**  
**(TORQUE: 0,9Nm ±%20)**

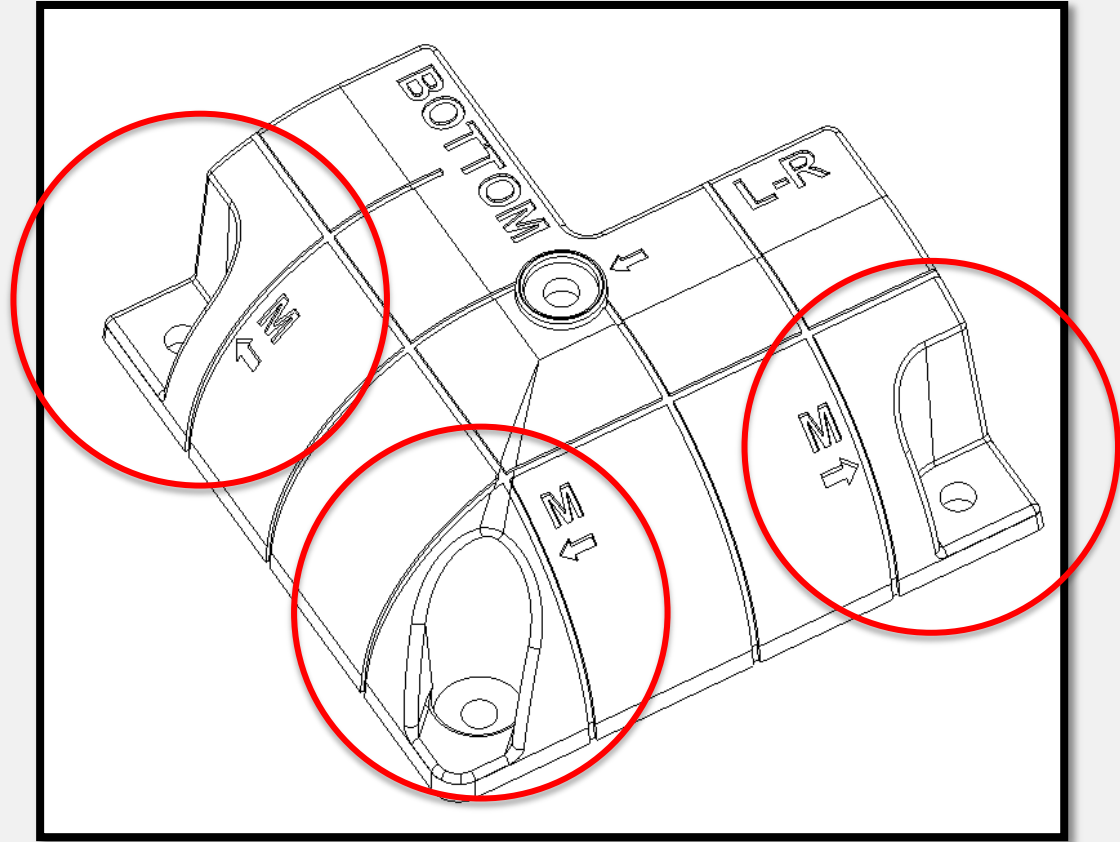


**ESTEL**

# xx495 OVERLAY TOUCH KIT ASSEMBLY

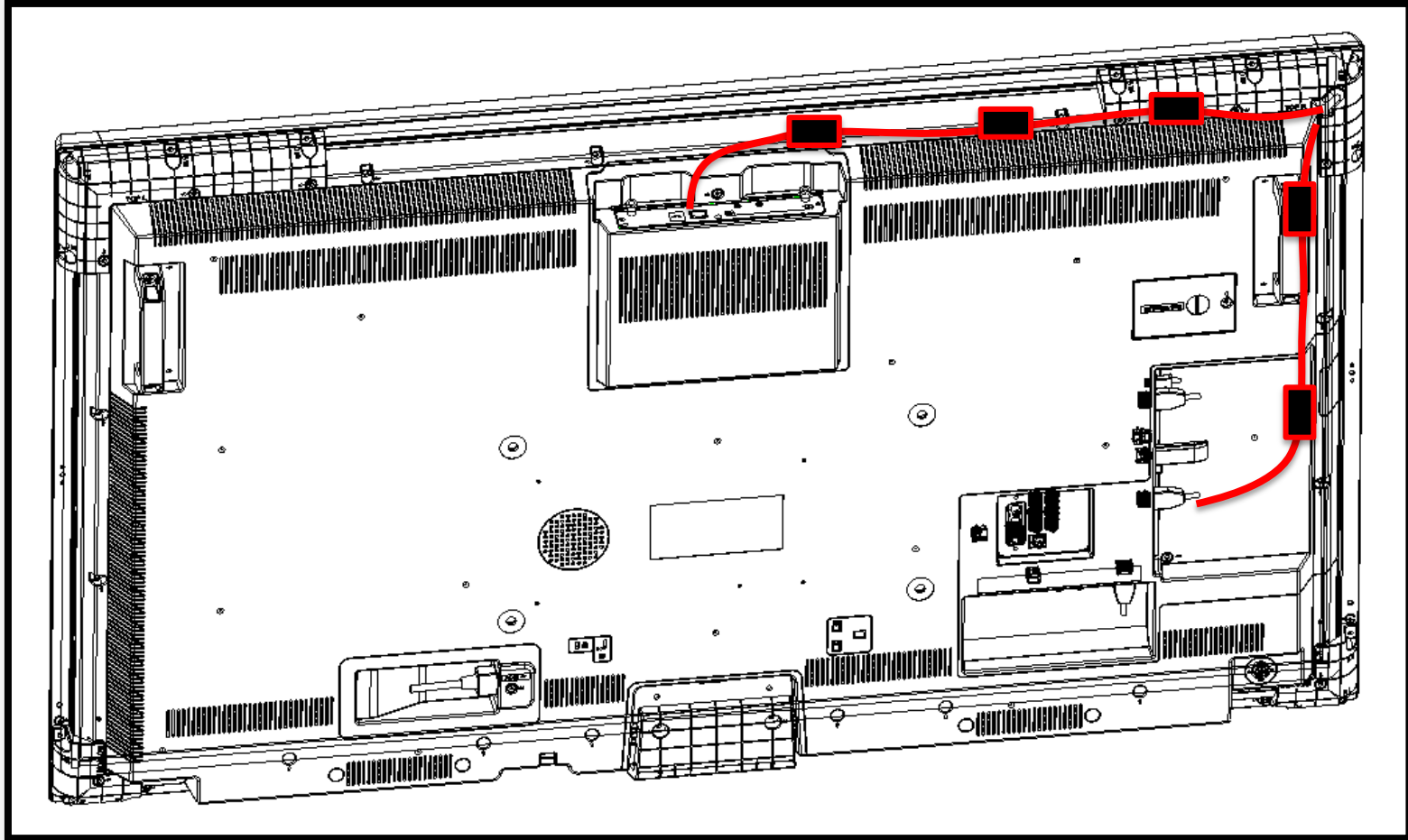


**SCREW M4X16 3 PCS**  
**(TORQUE: 0,9Nm  $\pm$ %20)**



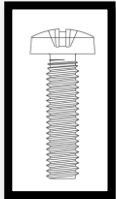
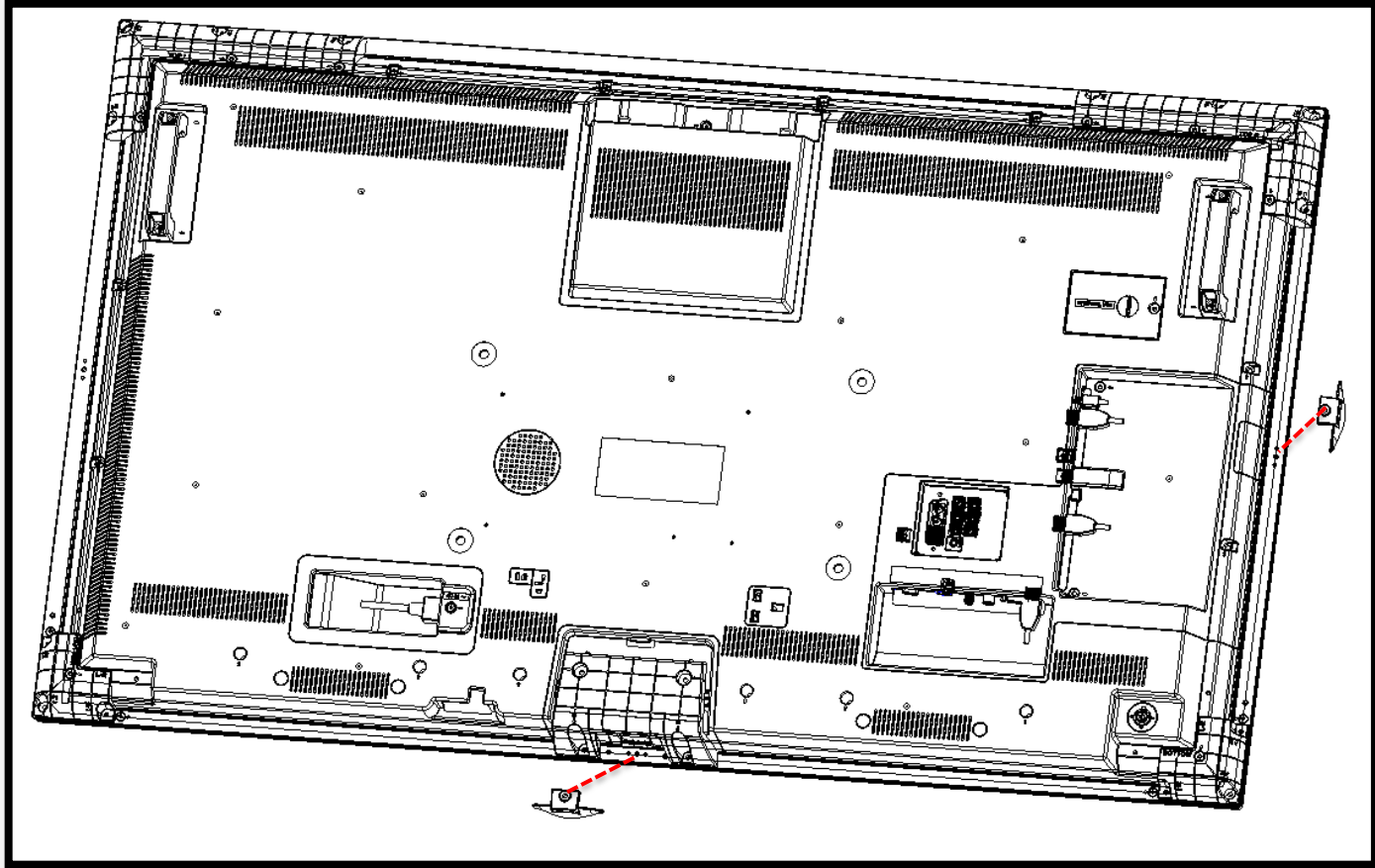
**OVERLAY KIT SHOULD BE ASSEMBLED BY METRIC-4 SCREWS TO ONLY "M" MARKED HOLES ON PLASTIC PARTS.**

# xx495 OVERLAY TOUCH KIT ASSEMBLY

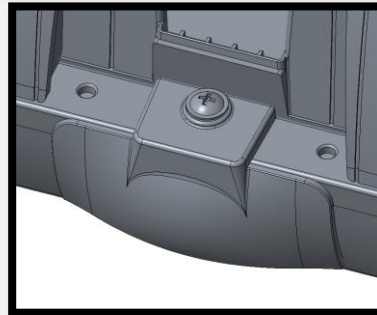


USE CABLE HOLDERS FOR CABLE POSITIONING.

# xx495 OVERLAY TOUCH KIT ASSEMBLY



**SCREW M4 1 PCS**  
**(TORQUE: 0,9Nm  $\pm$ %20)**



**PLEASE ASSEMBLE**  
**LOGO PLATE.**